



GLOBAL GREEN CORPORATION

LED UFO High Bay Light

Suspension Mounted LED Highbay.



Phillips 3030

100 Watt

80 CRI

50000hrs



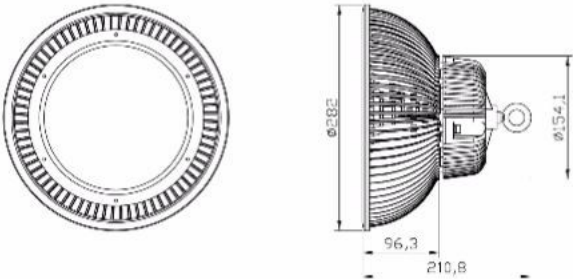
FEATURES

- Phillips Chips
- Type B Ballast By Pass 100-277AC
- Replaces 250W MH
- Environmentally friendly; no mercury or lead
- 5 year product warranty
- Choice of 4000K, 5000K, 6000K
- Meanwell Driver
- Up to 80% energy savings
- Ultra-high performance LED delivers 140 lpw
- Suitable for dry or damp locations
- Motion Sensor
- Microwave Sensor
- Dali and Zigbee Intergration



5 YEAR WARRANTY

DIMENSIONS



APPLICATIONS

- Industrial Parks
- Strip Malls
- Warehouses
- Parking Garages
- Subways
- Underground parking lots

SPECIFICATIONS

Watts	Volts	Lumens	Beam Angle	CCT	CRI
100W	AC120-277V	14000 lm	180 degrees /4000K/5000k/6000K		>80
Efficiency	PF	Style	Install	Rated Life	Approvals
140lm/W	>0.95	UFO	Suspension	50000hrs	UL/cUL, DLC V4.0

ORDERING GUIDE

Example: GG-UFO-HB-100W-840

Company	Series	Type	Watts	CCT	Mode
GG - Global Green	UFO Highbay- UFO	High Bay: HB	100W	840 -CRI80, 4000K	
				850 -CRI80, 5000K	
				860 -CRI80, 6000K	



GLOBAL GREEN CORPORATION

LED UFO High Bay Light

Suspension Mounted LED Highbay.

FEATURES

- Phillips Chips
- Type B Ballast By Pass 100-277AC
- Replaces 400W MH
- Environmentally friendly; no mercury or lead
- 5 year product warranty
- Choice of 4000K, 5000K, 6000K
- Meanwell Driver
- Up to 80% energy savings
- Ultra-high performance LED delivers 140 lpw
- Suitable for dry or damp locations
- Motion Sensor
- Microwave Sensor
- Dali and Zigbee Intergration



Phillips 3030

130 Watt

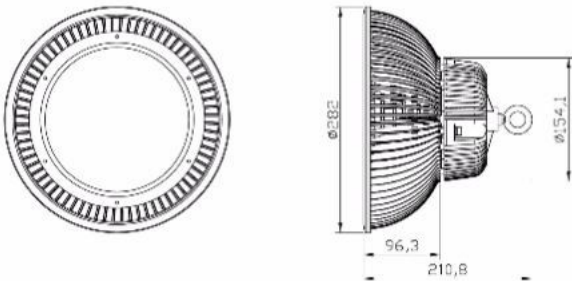
80 CRI

50000hrs



DIMENSIONS

APPLICATIONS



- Industrial Parks
- Strip Malls
- Warehouses
- Parking Garages
- Subways
- Underground parking lots

SPECIFICATIONS

Watts	Volts	Lumens	Beam Angle	CCT	CRI
130W	AC120-277V	18200 lm	180 degrees /4000K/5000k/6000K		>80
Efficiency	PF	Style	Install	Rated Life	Approvals
140lm/W	>0.95	UFO	Suspension	50000hrs	UL/cUL, DLC V4.0

ORDERING GUIDE

Example: GG-UFO-HB-130W-840

Company	Series	Type	Watts	CCT	Mode
GG - Global Green	UFO Highbay-	UFO High Bay: HB	130W	840 -CRI80, 4000K	
				850 -CRI80, 5000K	
				860 -CRI80, 6000K	



GLOBAL GREEN CORPORATION

LED UFO High Bay Light

Suspension Mounted LED Highbay.



Phillips 3030

150 Watt

80 CRI

50000hrs

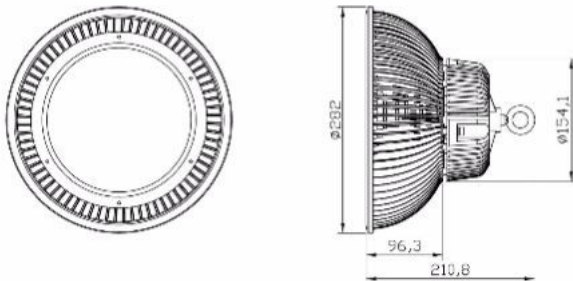


FEATURES

- Phillips Chips
- Type B Ballast By Pass 100-277AC
- Replaces 400W MH
- Environmentally friendly; no mercury or lead
- 5 year product warranty
- Choice of 4000K, 5000K, 6000K
- Meanwell Driver
- Up to 80% energy savings
- Ultra-high performance LED delivers 140 lpw
- Suitable for dry or damp locations
- Motion Sensor
- Microwave Sensor
- Dali and Zigbee Intergration



DIMENSIONS



APPLICATIONS

- Industrial Parks
- Strip Malls
- Warehouses
- Parking Garages
- Subways
- Underground parking lots

SPECIFICATIONS

Watts	Volts	Lumens	Beam Angle	CCT	CRI
150W	AC120-277V	19500 lm	180 degrees /4000K/5000k/6000K		>80
Efficiency	PF	Style	Install	Rated Life	Approvals
140lm/W	>0.95	UFO	Suspension	50000hrs	UL/cUL,DLC V4.0

ORDERING GUIDE

Example: GG-UFO-HB-150W-840

Company	Series	Type	Watts	CCT	Mode
GG - Global Green	UFO Highbay- UFO High Bay: HB	150W	840	-CRI80, 4000K	
			850	-CRI80, 5000K	
			860	-CRI80, 6000K	

LED UFO High Bay Light

Suspension Mounted LED Highbay.



Phillips 3030

200 Watt

80 CRI

50000hrs

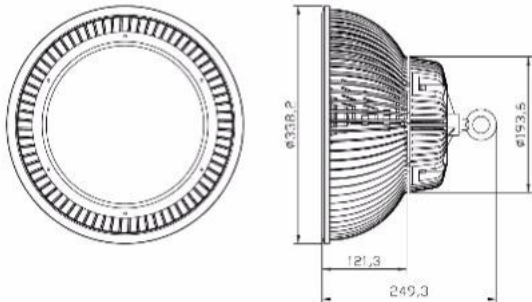


FEATURES

- Phillips Chips
- Type B Ballast By Pass 100-277AC
- Replaces 400W MH
- Environmentally friendly; no mercury or lead
- 5 year product warranty
- Choice of 4000K, 5000K, 6000K
- Meanwell Driver
- Up to 80% energy savings
- Ultra-high performance LED delivers 140 lpw
- Suitable for dry or damp locations
- Motion Sensor
- Microwave Sensor
- Dali and Zigbee Intergration



DIMENSIONS



APPLICATIONS

- Industrial Parks
- Strip Malls
- Warehouses
- Parking Garages
- Subways
- Underground parking lots

SPECIFICATIONS

Watts	Volts	Lumens	Beam Angle	CCT	CRI
200W	AC120-277V	28000 lm	180 degrees /4000K/5000k/6000K		>80
Efficiency	PF	Style	Install	Rated Life	Approvals
140lm/W	>0.95	UFO	Suspension	50000hrs	UL/cUL, DLC V4.0

ORDERING GUIDE

Example: DD-UFO-HB-200W-840

Company	Series	Type	Watts	CCT	Mode
GG- Global Green	UFO Highbay-	UFO High Bay: HB	200W	840 -CRI80, 4000K	
				850 -CRI80, 5000K	
				860 -CRI80, 6000K	

LED UFO High Bay Light

Suspension Mounted LED Highbay.



Phillips 3030

240 Watt

80 CRI

50000hrs

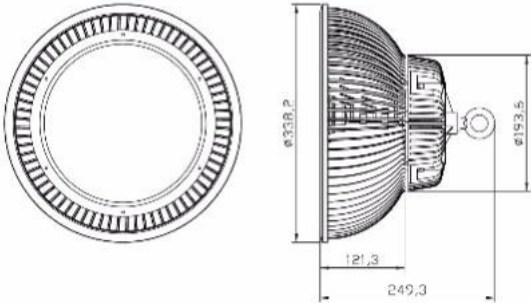


FEATURES

- Phillips Chips
- Type B Ballast By Pass 100-277AC
- Replaces 400W MH
- Environmentally friendly; no mercury or lead
- 5 year product warranty
- Choice of 4000K, 5000K, 6000K
- Meanwell Driver
- Up to 80% energy savings
- Ultra-high performance LED delivers 140 lpw
- Suitable for dry or damp locations
- Motion Sensor
- Microwave Sensor
- Dali and Zigbee Intergration



DIMENSIONS



APPLICATIONS

- Industrial Parks
- Strip Malls
- Warehouses
- Parking Garages
- Subways
- Underground parking lots

SPECIFICATIONS

Watts	Volts	Lumens	Beam Angle	CCT	CRI
240W	AC120-277V	33600 lm	180 degrees /4000K/5000k/6000K		>80
Efficiency	PF	Style	Install	Rated Life	Approvals
140lm/W	>0.95	UFO	Suspension	50000hrs	UL/cUL, DLC V4.0

ORDERING GUIDE

Example: GG-UFO-HB-240W-840

Company	Series	Type	Watts	CCT	Mode
GG - Global Green	UFO Highbay- UFO	High Bay: HB	240W	840 -CRI80, 4000K	
				850 -CRI80, 5000K	
				860 -CRI80, 6000K	